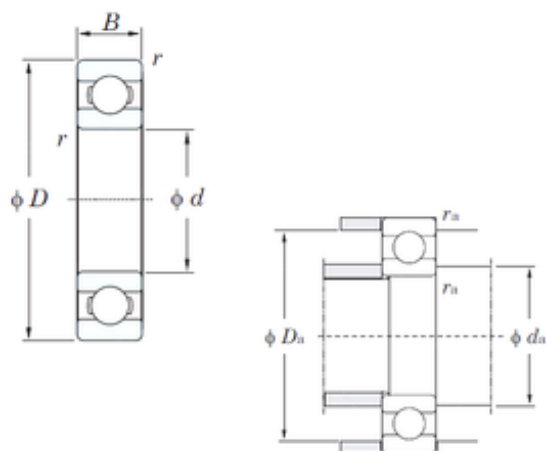




FAG PRECISION AXLE Co., Ltd



SKF/NSK/NTN/Koyo Bearing (NA 6901 NA 6902 NA 6903 NA 6904 NA 6905 NA 6906 NA 6907 NA 6908 NA 6909 NA 6910) Needle Roller Bearing

Bearing No. 6901

6901 Bearing 2D drawings and 3D CAD models

Size	12x24x6 mm
Bore Diameter	12 mm
Outer Diameter	24 mm
Width	6 mm
d	12 mm
D	24 mm
B	6 mm
C	6 mm
r min.	0,3 mm
da min.	14 mm
Da max.	22 mm
ra max.	0,3 mm
Weight	0,011 Kg
Basic dynamic load rating (C)	2,9 kN
Basic static load rating (C0)	1,45 kN
(Grease) Lubrication Speed	31000 r/min
(Oil) Lubrication Speed	36000 r/min
Category	Single Row Ball Bearings
Inventory	0.0
Manufacturer Name	KOYO
Minimum Buy Quantity	N/A
Weight / Kilogram	0.012
EAN	0605790085734



FAG PRECISION AXLE Co., Ltd

Product Group	B00308
Enclosure	Open
Precision Class	ABEC 1 ISO P0
Maximum Capacity / Filling Slot	No
Rolling Element	Ball Bearing
Snap Ring	No
Internal Special Features	No
Cage Material	Steel
Internal Clearance	C0-Medium
Inch - Metric	Metric
Long Description	12MM Bore; 24MM Outside Diameter; 6MM Outer Race Diameter; Open; Ball Bearing; ABEC 1 ISO P0; No Filling Slot; No Snap Ring; No Internal Special Features
Category	Single Row Ball Bearing
UNSPSC	31171504
Harmonized Tariff Code	8482.10.50.68
Noun	Bearing
Keyword String	Ball
Manufacturer URL	http://www.koyousa.com
Manufacturer Item Number	6901
Weight / LBS	0.026
Bore	0.472 Inch 12 Millimeter
Outside Diameter	0.945 Inch 24 Millimeter
Outer Race Width	0.236 Inch 6 Millimeter
Bearing No.	6901
r(min)	0.3
Cr	3.60
C0r	1.45
Cu	0.080



FAG PRECISION AXLE Co., Ltd

f0	14.5
Grease lub.	31000
Oil lub.	36000
da(min)	14
Da(max)	22
ra(max)	0.3
(Refer.)Mass(kg)	0.011